

AS-Distribution GmbH  
Hillenbrandstraße 10  
73079 Sülben / Germany

Phone +49 7162 9474450  
E-Mail info@as-distribution.de  
www.acoustic-signature.com

Managing Director  
Gunther Frohnhöfer  
Jacqueline Frohnhöfer

# MAXIMUS



MAXIMUS



MAXIMUS SE

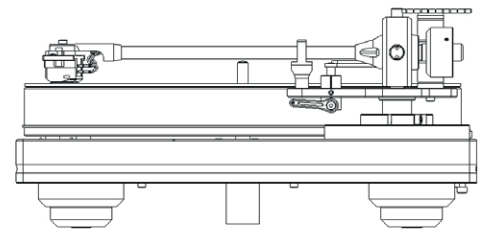
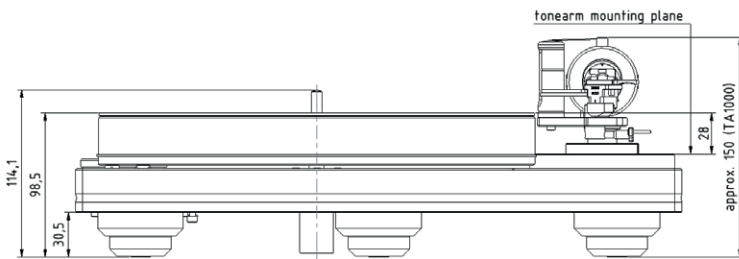
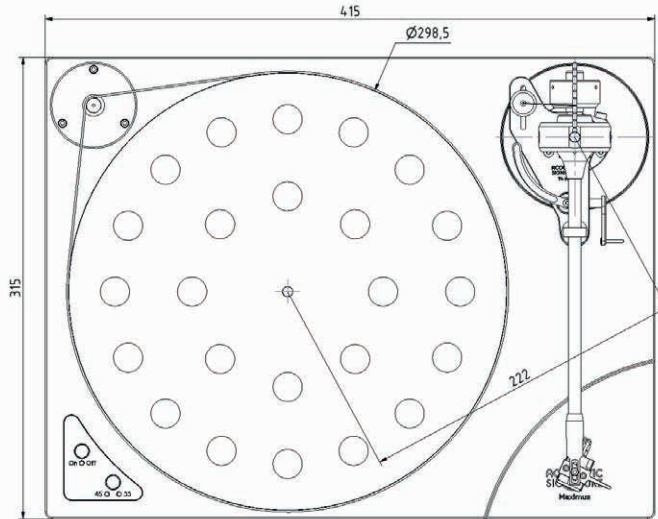
MAXIMUS – the name is selfexplaining! Maximum spinning/turning smoothness due to a new controlled DC-motor. Maximum perpetual speed, due to an optical sensor controlling and automatically adjusting the speed. Perfect spinning speed with minimized flutter/speed drop. Maximum user comfort.

The table of the MAXIMUS itself is cut out of the full solid aluminum block, slightly satin finished with a total weight of more than 10 kg and heavy weight turntable. The table contains a rubber embedded motor and changeable armboards upon customers choice. The fully digital control electronic enables speed change on a fingertip. The MAXIMUS is equipped with the top of the line

the 34 mm high full aluminum platter, similar to the ACOUSTIC SIGNATURE developed and handmade Tidorfolon-bearing, which is total noise and maintenance free. Due to its industrial design of the table construction combined with all handling comfort the MAXIMUS takes every daily listening to a memorable experience.

## MAXIMUS SE (Special Edition)

The MAXIMUS SE is a technical advanced version, maximizing the listening result again. It is equipped with a platter containing 8 Silencers and a more advanced power supply for a higher listening performance.



## TECHNICAL DATA

	MAXIMUS	MAXIMUS SE
Dimensions (width x height x depth)	415 mm x 150 mm x 315 mm	415 mm x 150 mm x 315 mm
Weight	17 kg / 37.5 lbs	17 kg / 37.5 lbs
Drive System	1 DC-Motor, speed controlled and regulated, fine adjustment of speed possible	1 DC-Motor, speed controlled and regulated, fine adjustment of speed possible
Speed range	33 1/3 RPM and 45 RPM	33 1/3 RPM and 45 RPM
Power adapter	External wall outlet power adapter, Input: 100 V to 260 V AC Output: 12 V DC	External linear power adapter AC-10, Input: 110 V / 240 V AC Output: 12 V DC
Bearing	High precision Tidorfolon-bearing	High precision Tidorfolon-bearing
Chassis	30 mm massive aluminum chassis, 3 height adjustable feet	30 mm aluminum chassis, one piece, 3 height adjustable feet
Platter	Aluminum platter, Ø 300 x 34 mm platter, weight: 5.8 kg / 12.8 lbs	Aluminum platter, Ø 300 x 34 mm platter with Silencer technology (8 Silencer), weight: 6.3 kg / 13.9 lbs