

AS-Distribution GmbH
Hillenbrandstraße 10
73079 Sülben / Germany

Phone +49 7162 9474450
E-Mail info@as-distribution.de
www.acoustic-signature.com

Managing Director
Gunther Frohnhöfer
Jacqueline Frohnhöfer

STORM²⁰¹⁸



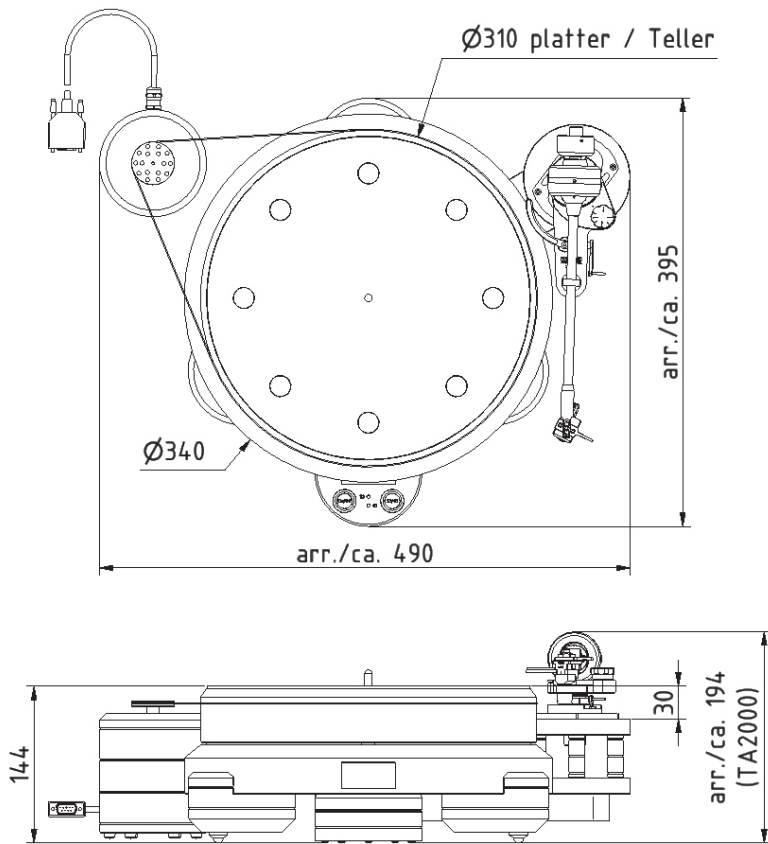
The STORM²⁰¹⁸ turntable weighs in at nearly 28 kg and provides all the advantages that true high mass turntables deliver. STORM²⁰¹⁸ offers rock solid and tuneful bass, a stable and focused midrange, clear and detailed high frequency reproduction by producing a soundstage that delivers both – natural delicate musicality and great authority. Of course, STORM²⁰¹⁸ also has very low mechanical noise courtesy based on our unique Tidorfolon-bearing design, and an externally positioned motor, run by our Beta-DIG regenerative power supply to ensure perfect rotation of the new platter. The STORM²⁰¹⁸ comes with a precisely manufactured Aluminum platter has a weight of 11 kg which includes 8 Silencer modules to dampen resonances.

The platter is additionally coated underneath with a specialized high efficiency damping material to achieve even better results. This high mass platter in combination with the smooth running Tidorfolon-bearing is only one of the many unique reasons why the STORM²⁰¹⁸ excels, and provides an unparalleled musical experience and turntable performance in its price range.

We believe that the motor system for a turntable should have enough force and inertial energy to obtain proper platter speed but not influence it during rotation. We reached that goal by using European made synchronous motor located to the left of the platter, with our own „State of the Art“- motor controller.

As we have designed the drive unit to be separate from the chassis, there is no direct contact which avoids transfer of any vibration into the turntable. Our Tidorfolon-bearing as a hand-tuned slide bearing has been perfectly designed to guide the platter with approximately no clearance and likewise no friction or sound.

Our Tidorfolon-bearing is valued and admired by fans and experts all over the world for its precision and its legendary reliability. It is always manufactured with great love for detail and precision in accordance with the best fine mechanical tradition. Each STORM²⁰¹⁸ can handle up to 3 tonearms and 3 motors.



TECHNICAL DATA

	STORM 2018
Dimensions (width x height x depth)	490 mm x 150 mm x 395 mm / 19.3" x 5.9" x 15.55"
Weight	22 kg / 48.5 lbs
Drive System	1 DC-Motor, speed controlled and regulated, fine adjustment of speed possible
Speed range	33 1/3 RPM and 45 RPM
Power adapter	Internal AC to DC power adapter (in Digital Motor Control DMC1), Input: 100 V to 260 V AC 50 Hz Optional: DC-Input 24 V via XLR 5 pin-connector
Bearing	High precision Tidorfolon-bearing
Chassis	Ø 340 mm / 13.38" x 45 mm / 1.77" aluminum, 3 height adjustable feet
Platter	Aluminum platter Ø 310 mm / 12.2" x 50 mm / 1.97", weight: 10 kg / 22 lbs
Tone arm base	Adjustable between 220 mm / 8.66" and 304 mm / 11.97" for 9"- to 12"-tone arms