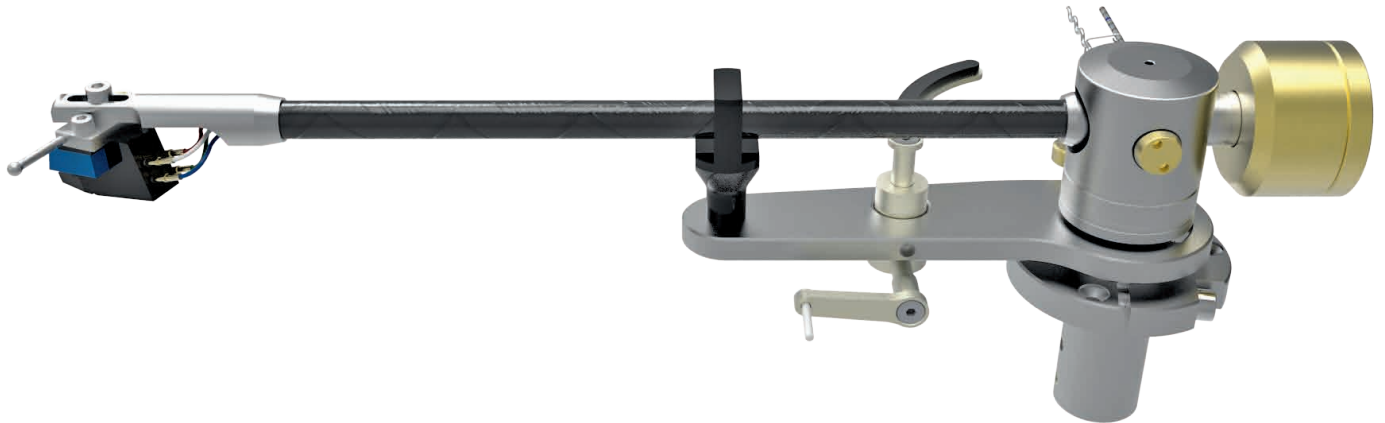


AS-Distribution GmbH  
Hillenbrandstraße 10  
73079 Süßen / Germany

Phone +49 7162 9474450  
E-Mail info@as-distribution.de  
www.acoustic-signature.com

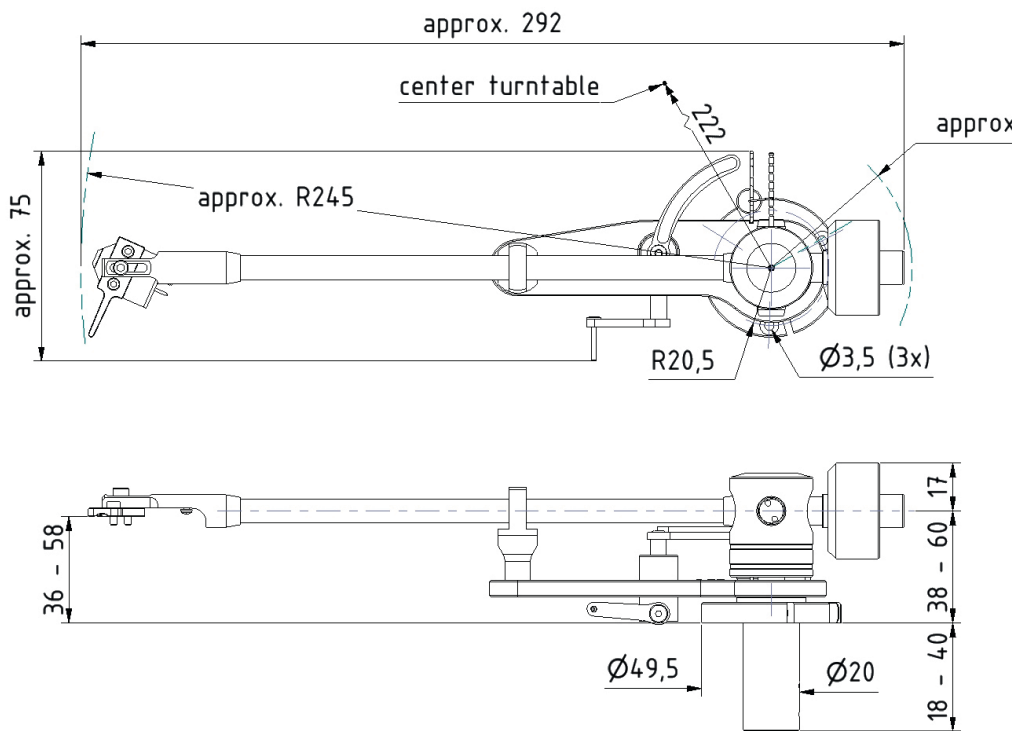
Managing Director  
Gunther Frohnhöfer  
Jacqueline Frohnhöfer

# TA-500



The TA-500 is a precisely manufactured precision-bearing 9 inch tone arm. The precision miniature ball bearings used are from manufacturer SKF. The bearings are added with minimal pre pressure for zero backlash to achieve a minimum friction and

maximum stability. The armtube is a custom made dual carbon tube. This creates a very rigid tube but still having a high damping and resonance. The TA-500 is only available with 5 pin connector and a Audioquest 5 pin cable is supplied with the arm.



## TECHNICAL DATA

Length	9 inch
Cartridge balance range	4 g – 16.0 g
Zero Point inner DIA	61.0 mm
Zero Point outer DIA	121.0 mm
Material Signal Cable	Copper
Overhang	15 mm
Effective length	237 mm
Mounting Distance (Distance from pivot to center of platter)	222 mm
Tilt Angle (depends on cartridge)	22.00 °
Effective mass	10.2 g
Total weight	585 g
Tone arm mounting versions	Rega Style & SME
Output	5 pin plug
A = height from mounting surface to record surface	21 mm – 46 mm
B = depth from mounting surface to end of pivot housing	5 mm – 35 mm
C = height from mounting surface to highest point	98 mm – 128 mm
external cable	optionally with straight or 90° plug