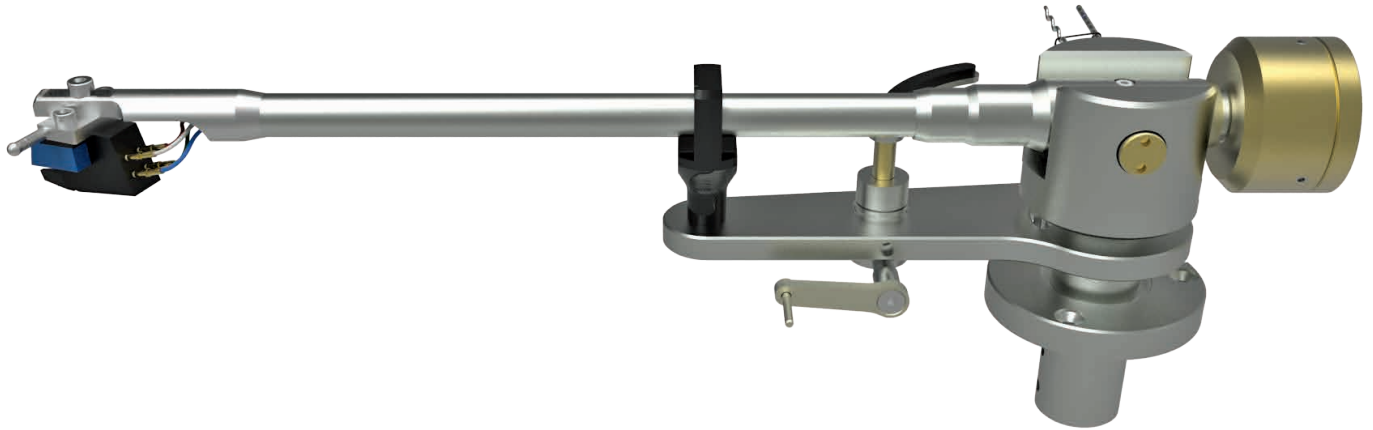


AS-Distribution GmbH  
Hillenbrandstraße 10  
73079 Süßen / Germany

Phone +49 7162 9474450  
E-Mail info@as-distribution.de  
www.acoustic-signature.com

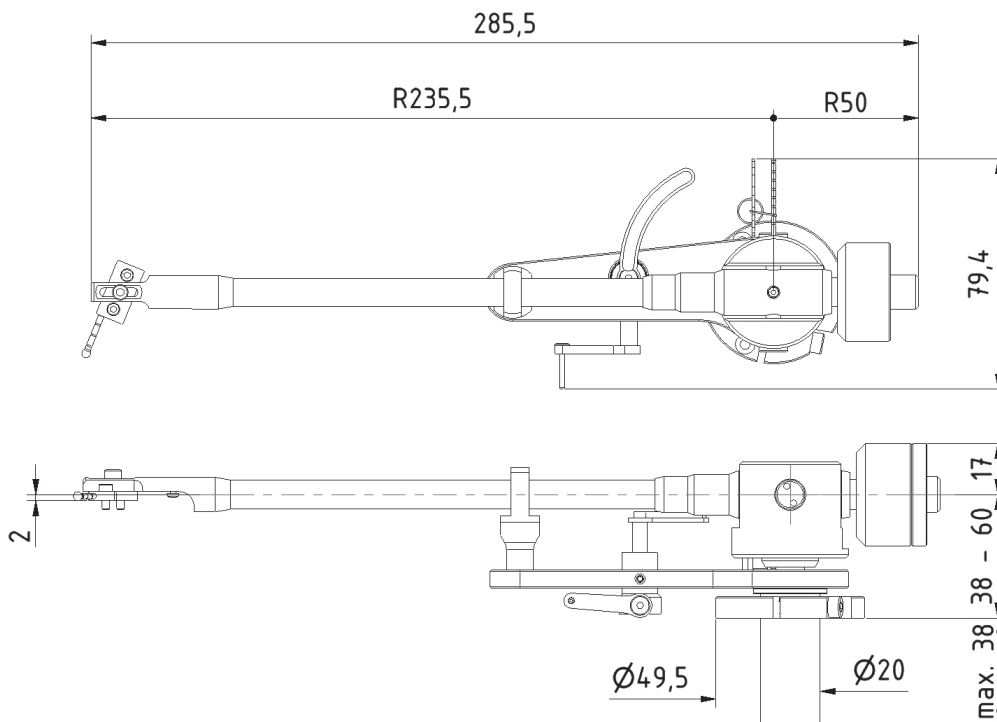
Managing Director  
Gunther Frohnhöfer  
Jacqueline Frohnhöfer

# TA-700



The ACOUSTIC-SIGNATURE TA-700 is a full aluminum design 9 inch tonearm. All the experience we have is built into this magic tonearm. We use bearings from a well-known Japanese Manufacturer. All bearings are closed versions to ensure no dirt or dust is affecting their lifetime. The arm tube at the TA-700 is made from a pressed aluminum bar. This bar is very rigid because of the high

pressure applied during manufacturing. Then we drill a hole into it and add the outside contour. This creates a very rigid tube but still having a high damping and resonance poverty and it comes with reasonable low weight. The TA-700 is equipped with a 5 pin connector in the arm shaft. The TA-700 comes with a easy to use height alignment construction.



## TECHNICAL DATA

Length	9 inch
Cartridge balance range	4 g – 16.0 g
Zero Point inner DIA	61.0 mm
Zero Point outer DIA	121.0 mm
Material Signal Cable	Copper
Overhang	15 mm
Total length	252 mm
Effective length	237 mm
Distance (Distance from pivot to stylus)	222 mm
Tilt Angle	22.00 °
Effective mass	10.2 g
Total weight	680 g
Tone arm mounting	Rega Style & SME