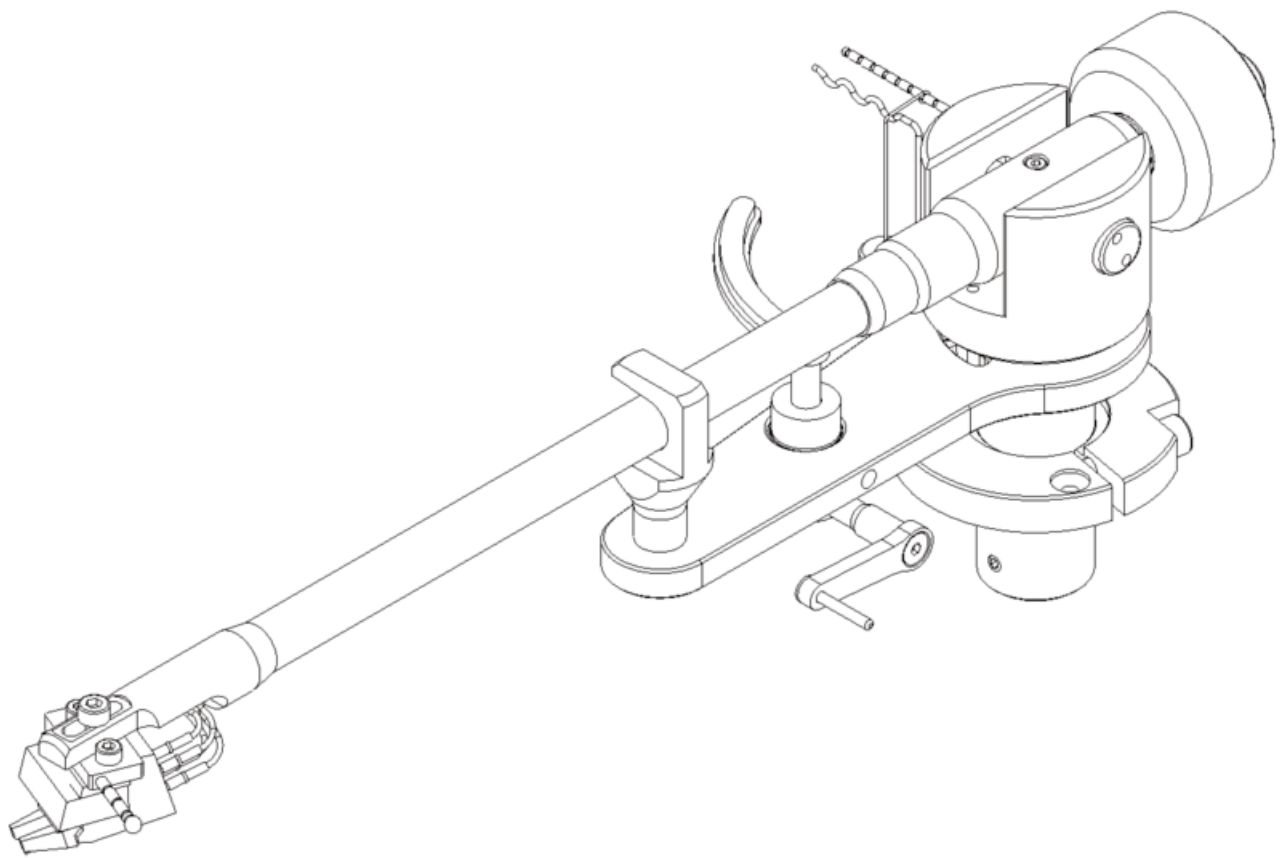


Instruction Manual

**TA-700**  
Pick-Up Arm

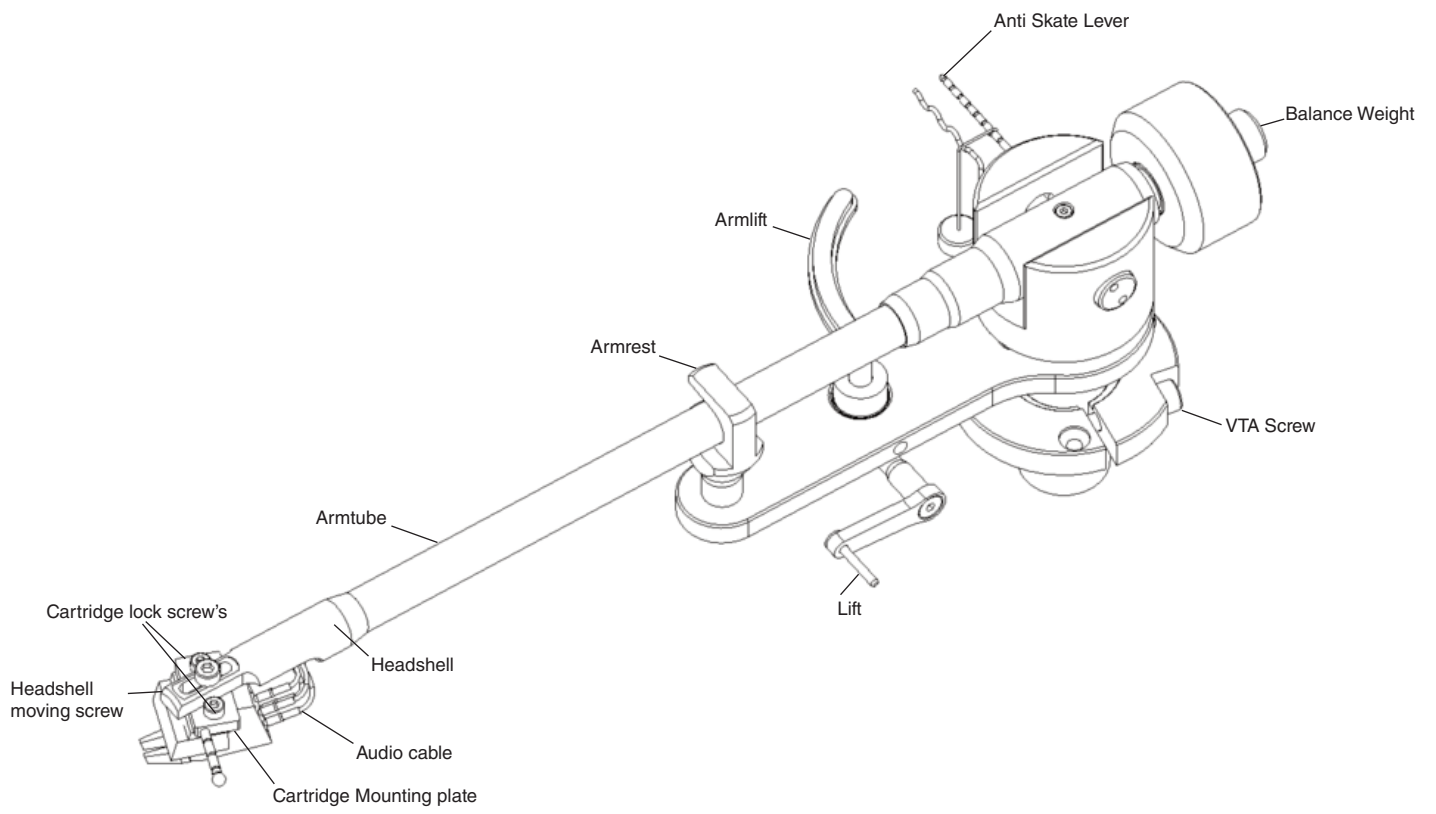


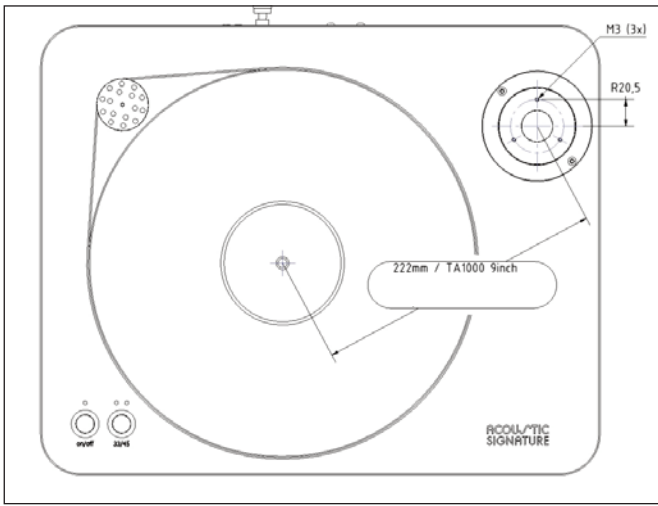
**ACOUSTIC**  
**SIGNATURE**

Teutonic engineering.



## Parts identification



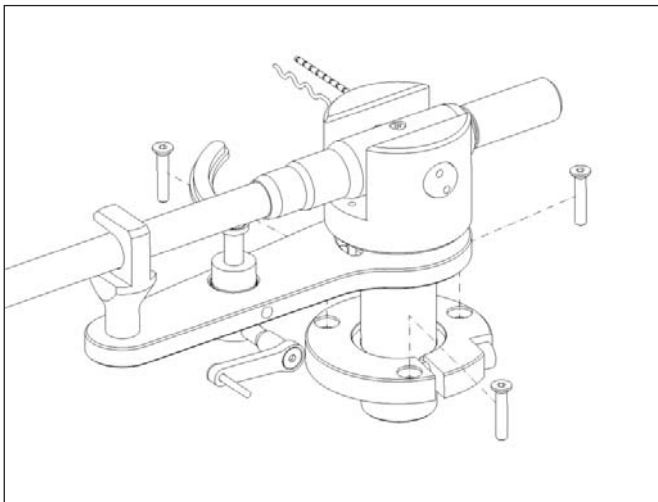


## 1. Preparing the arm mounting board

To mount the TA 700 tonearm your turntable need's to have a 23mm thru hole combined with 3 M3 thread's around it at the Radius of 20.5mm (see drawing). Rega Dimension. SME versions are also offered.

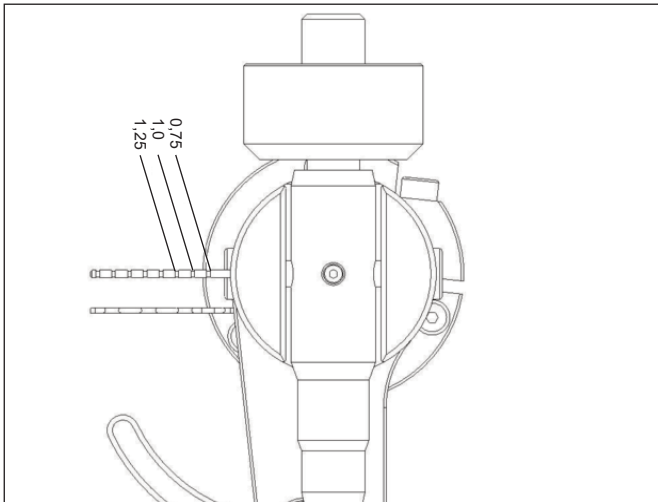
Ensure that the thread's are positioned as showed in the drawing. The distance of the center hole to the middle of the platter must be:

222 mm for the 9 inch version



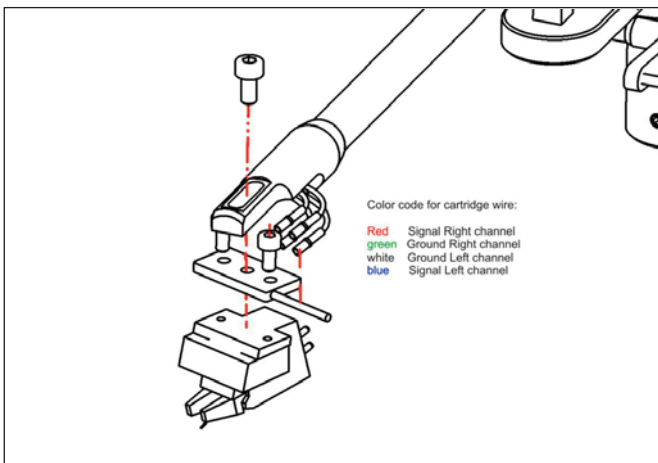
## 2. Fitting the arm

Take the provided 3 screws and put them into the marked 3 holes. Use the provided allen key to tighten the screw's. To get easier access to the holes it might be helpful to turn the armtube so the holes are free, or take the arm out and assemble the armbase first.



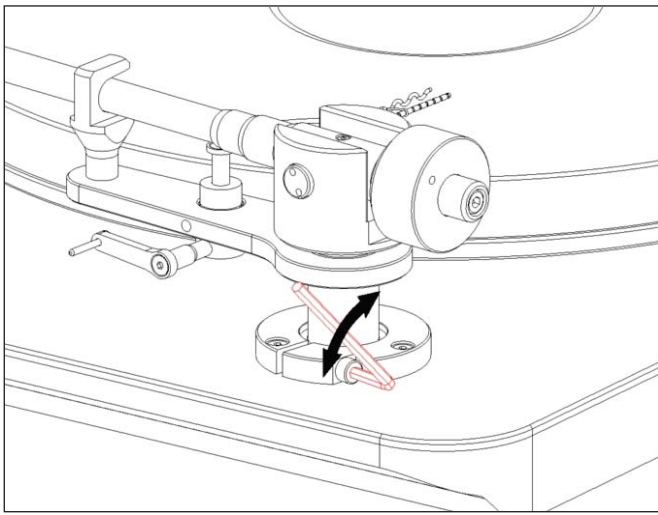
## 3. Antiskating

To adjust proper antiskating put the provided string with the attached antiskating weight over the mounting stub. Please adjust it according to the scale you see in the left picture. We suggest to have the antiskating value lower then the tracking force.



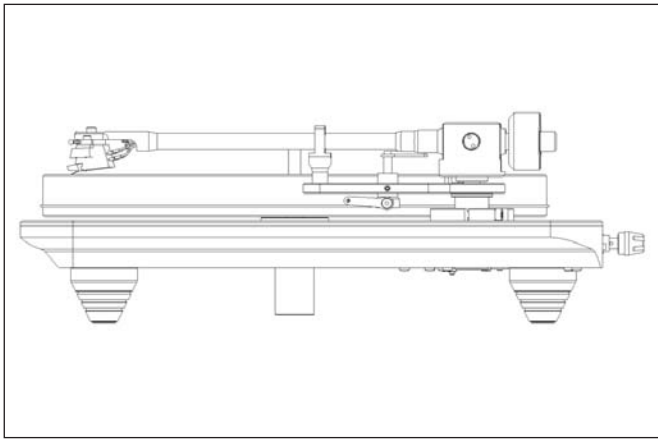
## 4. Mounting the cartridge

Please take a look at the assembly drawing to mount your cartridge to the tonearm. We use a cartridge mounting plate to mount your cartridge on. Use the provided screw's of the cartridge or the 2 pcs. M2.5 screws we supply with the tonearm. Mount your cartridge to the plate and then connect the audio cable pin's to your cartridge. Take care for the correct color. Then use the provided M3 Screw to attach the assembly to the headshell.



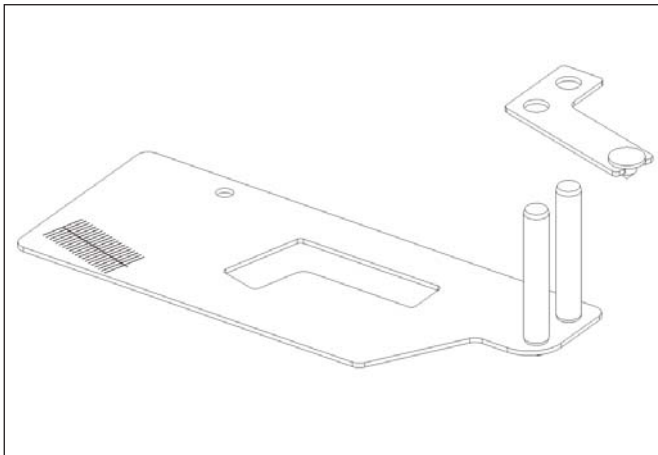
## 5. Prepare adjusting the cartridge

Before we start aligning the cartridge we need to pre adjust the Tracking force and the height of the tonearm. Tracking force will be adjusted by turning the counter weight forward (more weight) or backward (for less weight). Search the manual of your cartridge for the right value and adjust it by using a weight scale (not provided). After you have done the setup of the Tracking force please tighten the 3 small screws to fix the position of the weight.



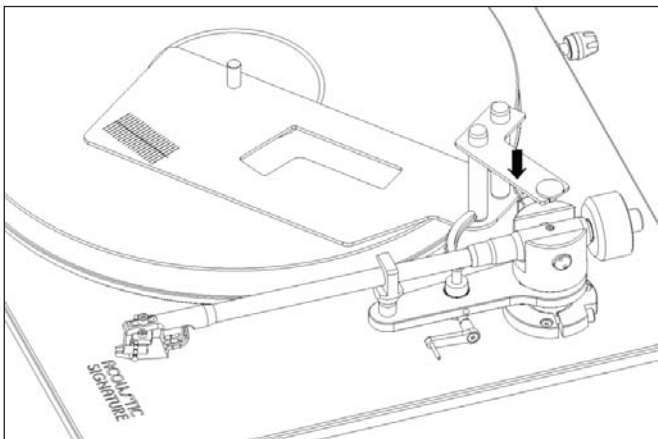
### 5.1 Prepare adjusting the cartridge

Adjust the arm height with cartridge fitted, is either level or slightly low at the front end. You can do this by opening the red marked screw with the provided allen key. Open it carefully adjust the needed height and tighten the screw softly. Check if height is ok - if not redo the adjustment. Be aware the when opening the screw the arm might fall down!



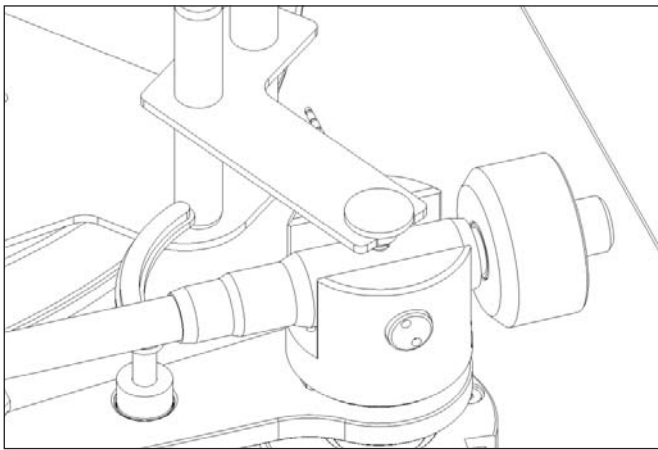
## 6. Adjusting the cartridge

This is done by using the provided adjustment template. Take the template and assemble it as shown and place it on the platter. Some units also come pre assembled.



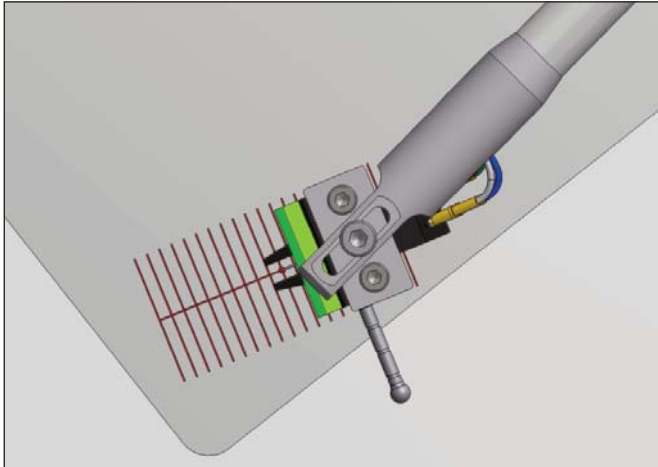
### 6.1 Adjusting the cartridge

Use the plastic (showed in the left picture) piece and place on top of the 2 metall pillars facing the Alu center pin downwards. Move the arm forward or backward so the center pin is exactly fitting into the small drilled marking on top of the arm. tighten the arm if this position is exactly matching. This ensures your template is in the correct angle for adjusting the cartridge and the distance of the arm related to the middle of the platter is correct.



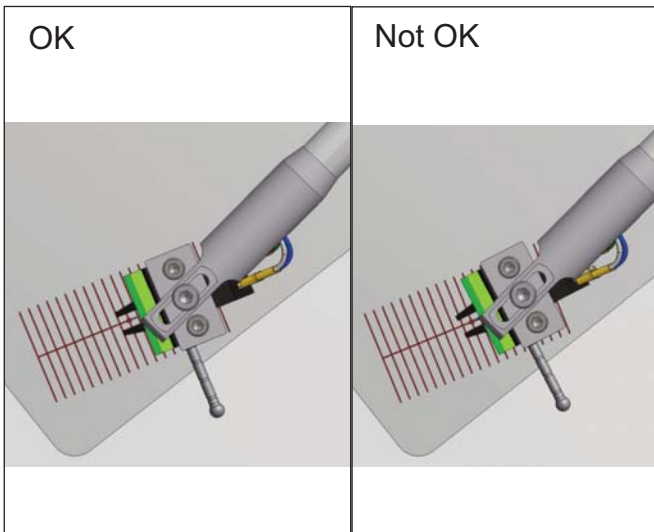
## 6.2 Adjusting the cartridge

Make sure to use it in the exact orientation as shown in the pic. This ensures your template is in the correct angle for adjusting the cartridge.



## 6.3 Adjusting the cartridge

Lift down the cartridge and place the diamond tip of the cartridge on the reference point of the alignment gauge and make sure that the edges of the cartridge are absolutely parallel to the marking lines printed on the cartridge alignment gauge. For that adjustment it is necessary to take a look directly from the top on the tonearm and the alignment gauge. We suggest to align only to the inner point of the alignment gauge!

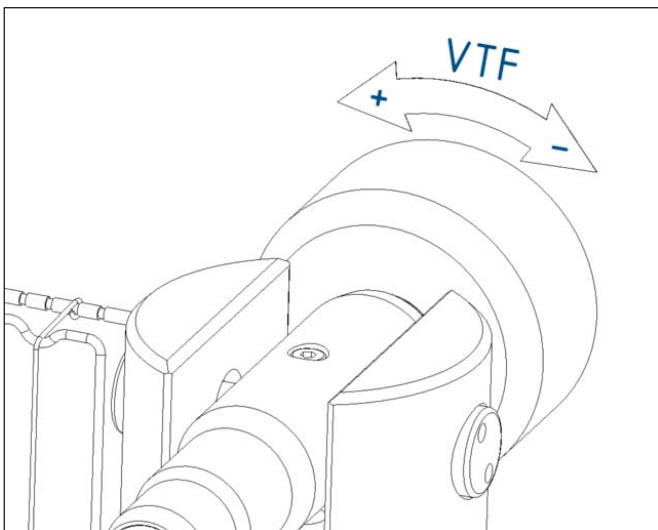


## 6.4 Adjusting the cartridge

If you have to change the position of the diamond tip you can unscrew the screw on the top of the tonearm's headshell and move the cartridge into the corresponding position.

Please make also sure that the leading edge of the cartridge is parallel to the marker lines of the cartridge alignment gauge and the needle is exactly in the reference point. If not correct it by moving forward and backward and changing the angle.

Fix the right position through looking the headshell screw on the top.



## 7. Longitudinal balance

Position the arm so that it is clear of the armrest and the cartridge is clear of the turntable. Move the lift into the low position. Balance the arm by rotating the weight to move it backwards or forward as required to make the arm float around his zero point.

The tracking force weight has 3 screws around his circle to fix the position. Make sure to tighten the screws only very soft.

TA-700 technical DATA

Länge	9 inch			Length
Justierbare Tonabnehmer	4 g - 16.0 g			Cartridge balance range
Nullpunkte	61.0mm			Zero Point inner DIA
	121.0mm			Zero Point outer DIA
Signalkabel	Cooper			Signal Cable
Überhang	15			Overhang
Gesamtlänge	252			Total length
Effektive Tonarmlänge	237			Effective length
Abstand (Mitte Tonarmlager zu Mitte Tellerlager)	222 mm			Distance (Distance from pivot to stylus)
Kröpfungswinkel	22.00 °			Tilt Angle
Eff. Masse	10,2			Effective mass
Gewicht	680			Total weight
Tonarmaufnahmebohrung	Rega Style / or SME			Tonarm mounting

ACOUSTIC  
SIGNATURE

Teutonic engineering.

**Acoustic-Signature**

Made by AS-Distribution GmbH  
Hillenbrand Straße 10  
D-73079 Süssen

**Tel:** +49 7162 9474450

**Fax:** +49 7162 9474459

[www.acoustic-signature.com](http://www.acoustic-signature.com)

**E-Mail:** [info@as-distribution.de](mailto:info@as-distribution.de)